

Wavelength Services

Connect your sites with high-bandwidth performance.

Data is more important than ever. Its insights can help you deliver better experiences for your customers, connect employees to critical resources and plan for shifts in demand.

As data volumes continue to grow, so does your need for high-bandwidth, low-latency application delivery and scalability between those locations.

Verizon Wavelength Services uses dense wave division multiplexing technology to deliver low-latency connectivity between your facilities. It provides a point to point Ethernet link between data centers and other enterprise locations to help you boost application performance, scale quickly and access dedicated capacity on demand.



Create a fast, smooth connection to help protect your data

Verizon Wavelength Services can deliver scalable, dedicated bandwidth at speeds up to 400 Gbps with the lowest latency within your enterprise and between data centers. In certain instances, Wavelength Services can actually provide cost savings over L2/L3 VPN products for point-to-point circuits.

That gives you quick, dependable transport for your most data-intensive needs, from backup and mirroring of financial transactions to high-definition video delivery and medical imaging, helping you meet your business demands with:



Scalability: Expand your network with 10G, 100G and 400G point-to-point circuit options



Performance: Maintain fast, efficient application processing using low-latency, low-jitter connections with dedicated throughput



Reliability: Enjoy high circuit availability backed by service level agreements to help ensure the smoothest service delivery



Security: Help safeguard sensitive data by choosing networks with dedicated layer 1 circuit level point-to-point connections



Survivability: Choose protection in networks or lock in routing across the long haul to achieve diversity from other circuits

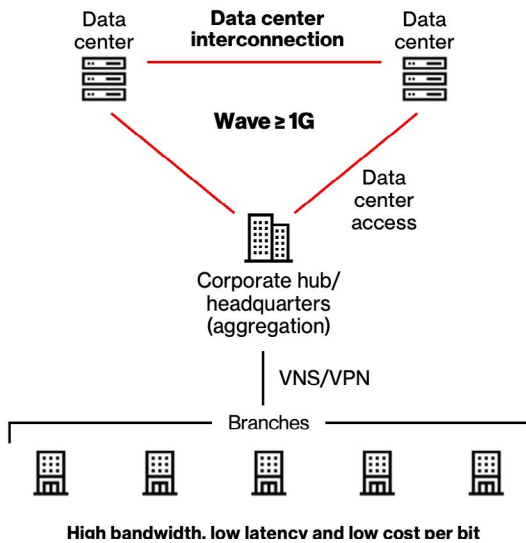


Help avoid disruptions and their costly consequences

If you're like most organizations, you've already devoted substantial resources to help maintain business continuity. Leveraging options like route diversity and/or protection,¹ Wavelength Services can be an integral part of that plan.

Get the right mix of services your business can rely on.

Standardize. Simplify. Expand. Control costs. With so many competing priorities, it is nearly impossible to find one solution that satisfies all your requirements. When it comes to choosing the right network architecture, combining services is a great way to make the most out of each of them. Combined with other critical data transport options – like Private IP for greater agility and efficiency, or Ethernet Services for point-to-multipoint applications – Wavelength Services can be a critical component of your network plan. You can use it to connect your highest-bandwidth locations, leveraging the performance and security of its private point-to-point connections.



Why Verizon

Verizon owns and operates one of the largest seamlessly connected global optical transport and IP networks, with services in more than 185 countries and 2,700 cities. Organizations across the globe trust us to manage more than 400,000 security, network and hosting devices, with dedicated staff in more than 80 countries.

Learn more

Find out how Verizon Wavelength Services can help you connect your locations with the high bandwidth and low latency necessary to meet application speed and performance requirements. Contact your Verizon Business Account Manager today, or request a consultation.

To learn more, visit [verizon.com/business/products/networks/connectivity/wavelength-services/](https://www.verizon.com/business/products/networks/connectivity/wavelength-services/).

1. Customer Controlled Provisioning availability is subject to some restrictions.